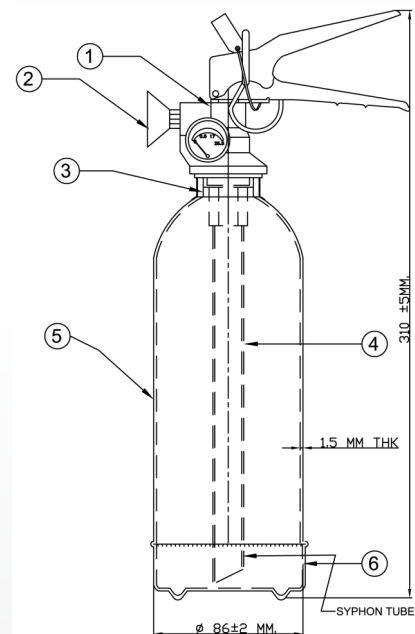


**DATA SHEET OF STORED PRESSURE DRY CHEMICAL POWDER (ABC)
FIRE EXTINGUISHER 1 KG. CAPACITY**

BRAND	: SAFEX FIRE SERVICES LTD.
ISI SPECIFICATION	: 15683
CAPACITY	: 1 KGS.
CERTIFICATION MARK	: I.S.I. (B.I.S.)

MATERIAL

BODY	: 1.5mm MILD STEEL IS 513
VALVE	: BRASS IS 6912 FLB WITH NON RETURN VALVE & SAFETY RELEASE VALVE .
"O" RING	: RUBBER IS 5382 TYPE-3
PLUNGER	: BRASS IS 319 TYPE-1
SPRING	: STEEL IS 4454 PART-1
SYPHON TUBE	: PLASTIC
HANDLE & LEVER	: MILD STEEL
NOZZLE	: PVC
PRESSURE GAUGE	: EN APPROVED
ANTI CORROSIVE TREATMENT	: 1) PHOSPHATING 2) EPOXY POWDER COATING (OUTSIDE)
PAINTING	: FIRE RED/P.O.RED AS PER IS:5
EMPTY WEIGHT	: 1.2KGS.(APPROX)
FULL WEIGHT	: 2.2KGS.(APPROX)
BODY DIA	: 86 +/-5MM
OVERALL HEIGHT	: 310 +/- 10 MM



PERFORMANCE TEST

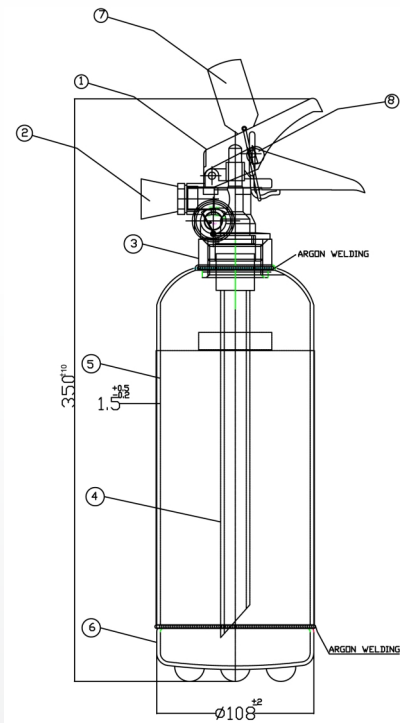
HYDRAULIC TESTING	: 35kgf/cm²
BURSTING PRESSURE	: 55Kgf/cm²
THROW OF JET	: 2METER FOR 8 SEC. MIN
PERCENTAGE OF DISCHARGE	: 90%
FIRE RATING	: 1A, 8B

**DATA SHEET FOR STORED PRESSURE DRY CHEMICAL POWDER (ABC)
FIRE EXTINGUISHER 2KG. CAPACITY.**

BRAND	: SAFEX FIRE SERVICES LTD.
ISI MARK	: 15683
CAPACITY	: 2 KGS
CERTIFICATION MARK	: ISI. MARK (B.I.S)
OPERATING TEMP	: - 20 °C - + 55°C

MATERIAL

BODY	: 1.5 MM THICK MILD STEEL
VALVE	: BRASS WITH NON RETURN VALVE, SAFETYRELEASE VALVE & CE APPROVED VALVE.
"O" RING	: RUBBER
PLUNGER	: BRASS
SPRING	: STEEL
SYPHON TUBE	: PLASTIC
PRESSURE GAUGE	: EN APPROVED
CHARGE	: DRY POWDER AS PER IS: 14609 (MONO AMONIUM PHOSPHATE) WITH ISI MARK
HANDLE & LEVER	: MILD STEEL
NOZZLE	: PVC
ANTICORROSIVE	: a) SHOT BLASTING b) EPOXY POWDER COATING OUT SIDE
PAINTING	: P. O. RED AS PER IS:5
EMPTY WT.	: 1.4 KGS. (APPROX)
FULL WT.	: 3.4 KGS (APPROX)
BODY DIA	: 108 + 5 MM
OVERALL HEIGHT	: 350 ±10 MM



PERFORMANCE TEST

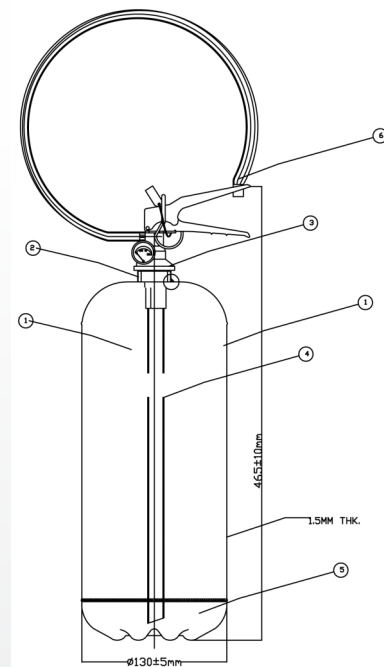
HYDRAULIC TEST	: 35 KGF/CM2
BURSTING TEST	: 55 KGF/CM2
THROW OF JET	: 3 METER
PERCENTAGE OF DISCHAGE	: 90% MINIMUM WITHIN 16 SECONDS
FIRE RATING	: 1A, 8B

**DATA SHEET FOR STORED PRESSURE DRY CHEMICAL POWDER (ABC)
FIRE EXTINGUISHER 4KG. CAPACITY.**

BRAND	: SAFEX FIRE SERVICES LTD.
ISI MARK	: 15683
CAPACITY	: 4 KGS
CERTIFICATION MARK	: ISI. MARK (B.I.S)
OPERATING TEMP	: - 20 °C - + 55°C

MATERIAL

BODY	: 1.5 MM THICK MILD STEEL
VALVE	: BRASS WITH NON RETURN VALVE, SAFETY RELEASE VALVE & CE APPROVED VALVE.
"O" RING	: RUBBER
PLUNGER	: BRASS
SPRING	: STEEL
SYPHON TUBE	: PLASTIC
HOSE	: Braided PVC (Please add This point in Data Sheet)
PRESSURE GAUGE	: EN APPROVED
CHARGE	: DRY POWDER AS PER IS: 14609 (MONO AMONIUM PHOSPHATE) WITH ISI MARK
HANDLE & LEVER	: MILD STEEL
NOZZLE	: M. S. FITTING
ANTICORROSIVE	: a) SHOT BLASTING b) EPOXY POWDER COATING OUT SIDE
PAINTING	: P. O. RED AS PER IS:5
EMPTY WT.	: 2 KGS. (APPROX)
FULL WT.	: 6 KGS (APPROX)
BODY DIA	: 130 + 5 MM
OVERALL HEIGHT	: 465



PERFORMANCE TEST

HYDRAULIC TEST	: 35 KGF/CM2
BURSTING TEST	: 55 KGF/CM2
THROW OF JET	: 4 METER
PERCENTAGE OF DISCHARGE	: 90% MINIMUM WITHIN 20 SECONDS
FIRE RATING	: 2A, 34B

**DATA SHEET FOR STORED PRESSURE DRY CHEMICAL POWDER (ABC)
FIRE EXTINGUISHER 6KG. CAPACITY.**

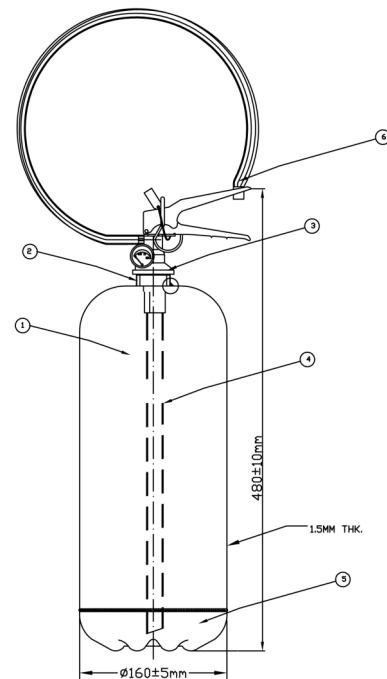
BRAND	: SAFEX FIRE SERVICES LTD.
ISI MARK	: 15683
CAPACITY	: 6 KGS
CERTIFICATION MARK	: ISI. MARK (B.I.S)
OPERATING TEMP	: - 20 °C - + 55°C

MATERIAL

BODY	: 1.5 MM THICK MILD STEEL IS: 513 G.D.
VALVE	: BRASS IS: 6912 WITH NON RETURN VALVE, SAFETY RELEASE VALVE & CE APPROVED VALVE.
"O" RING	: RUBBER IS: 5383 TYPE - 3
PLUNGER	: BRASS IS: 319 TYPE - 1
SPRING	: STEEL (IS: 4454 P - 1)
SYPHON TUBE	: PLASTIC
HOSE	: PVC (B.P.50 KGF/CM2)
PRESSURE GAUGE	: EN APPROVED
CHARGE	: DRY POWDER AS PER IS: 14609 (MONO AMONIUM PHOSPHATE) WITH ISI MARK
HANDLE & LEVER	: MILD STEEL
NOZZLE AND DISCHARGE	: M. S. FITTING
ANTICORROSIVE	: a) SHOT BLASTING b) EPOXY POWDER COATING OUT SIDE
PAINTING	: P.O. RED AS PER IS:5 SHADE NO. 538
EMPTY WT.	: 3.3 KGS. (APPROX)
FULL WT.	: 9.3 KGS (APPROX)
BODY DIA	: 160 + 5 MM
OVERALL HEIGHT	: 480 ±10 MM

PERFORMANCE TEST

HYDRAULIC TEST	: 35 KGF/CM2
BURSTING TEST	: 55 KGF/CM2
THROW OF JET	: 4 METER
PERCENTAGE OF DISCHARGE	: 90% MINIMUM WITHIN 25 SECONDS
FIRE RATING	: 4A, 55B



**DATA SHEET FOR STORED PRESSURE DRY CHEMICAL POWDER (ABC)
FIRE EXTINGUISHER 9KG. CAPACITY.**

BRAND	: SAFEX FIRE SERVICES LTD.
ISI MARK	: 15683
CAPACITY	: 9 KGS
CERTIFICATION MARK	: ISI. MARK (B.I.S)
OPERATING TEMP	: - 20 °C - + 55°C

MATERIAL

BODY	: 1.5 MM THICK MILD STEEL
VALVE	: BRASS
"O" RING	: RUBBER
PLUNGER	: BRASS
SPRING	: STEEL
SYPHON TUBE	: PLASTIC
HOSE	: BRAIDED PVC
PRESSURE GAUGE	: EN APPROVED
CHARGE	: DRY POWDER AS PER IS: 14609 (MONO AMONIUM PHOSPHATE) WITH ISI MARK
HANDLE & LEVER	: MILD STEEL
NOZZLE	: M.S.
ANTICORROSIVE	: a) SHOT BLASTING b) EPOXY POWDER COATING OUT SIDE
PAINTING	: P.O. RED AS PER IS:5 SHADE NO. 538
EMPTY WT.	: 5. 2 KGS. (APPROX)
FULL WT.	: 14.2 KGS (APPROX)
BODY DIA	: 190 + 5 MM
OVERALL HEIGHT	: 600+/- 10MM

PERFORMANCE TEST

HYDRAULIC TEST	: 35 KGF/CM2
BURSTING TEST	: 55 KGF/CM2
THROW OF JET	: 6 METER
PERCENTAGE OF DISCHARGE	: 90% MINIMUM WITHIN 30 SECONDS
FIRE RATING	: 6A, 89B

